

**REPAIR PARTS MANUAL**  
**MODEL NO. 15-107R (MBA15107RBB)**  
**Lawn Tractor**

---

**Mr. Bricolage**

# HOW TO USE THIS MANUAL

This manual is designed to provide the customer with a means to identify the parts on his/her tractor when ordering repair parts. The illustrations may or may not represent the actual assemblies; therefore, it is not recommended to use this manual as a guide to assemble or disassemble the tractor. Some hardware and parts are drawn larger in order to more readily identify them.

Each tractor has its own model number.

The model number for your tractor can be found on the fender under the seat.

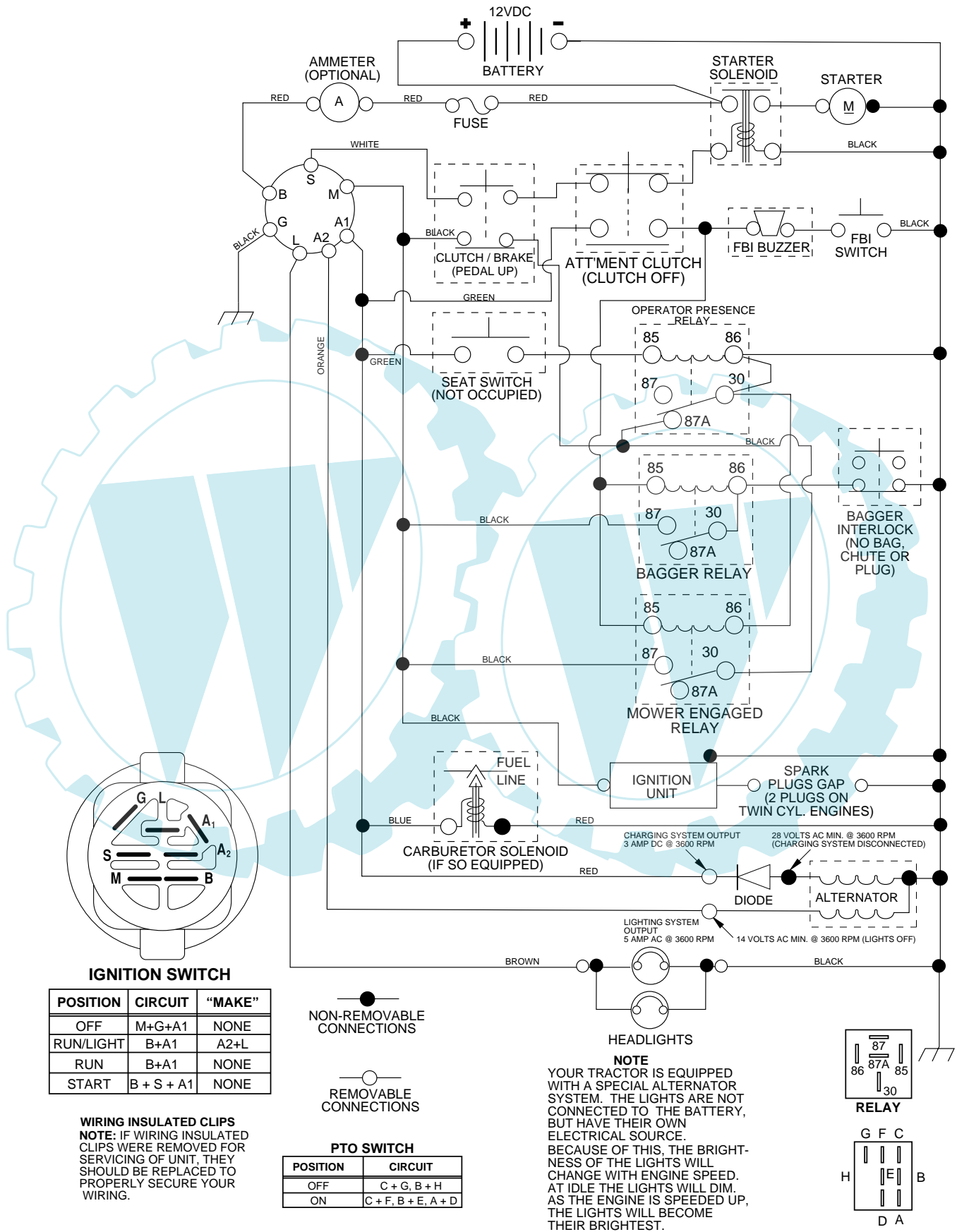
When ordering parts, always give the following information:

- Product - "Lawn Tractor"
- Model Number - "15-107R" (MBA15107RBB)
- Part Number
- Part Description

## TABLE OF CONTENTS

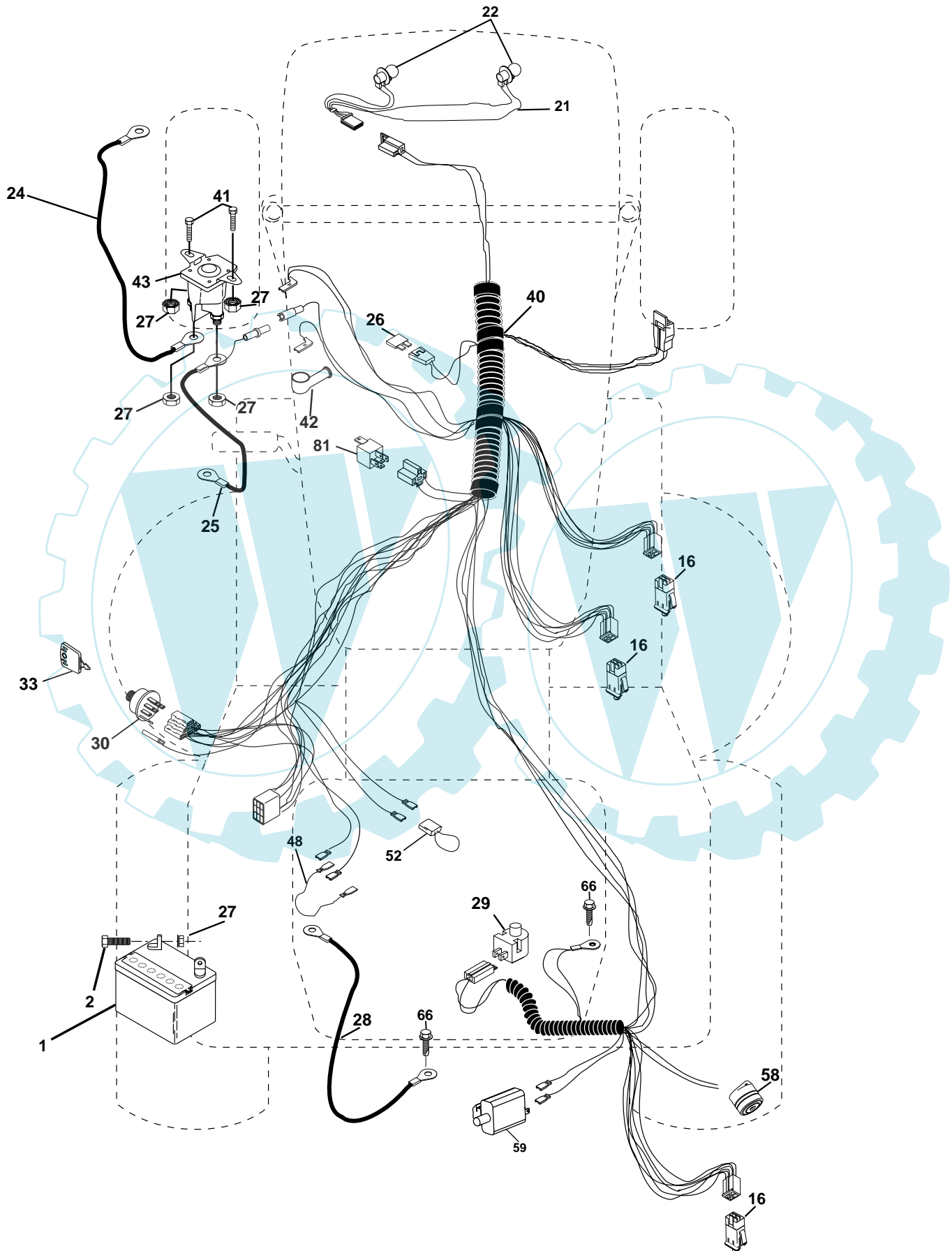
SCHEMATIC.....	3
ELECTRICAL.....	4-5
CHASSIS AND ENCLOSURES.....	6-7
DRIVE.....	8-9
STEERING ASSEMBLY.....	10-11
SEAT ASSEMBLY.....	12
DECALS.....	13
ENGINE.....	14-15
LIFT.....	16-17
MOWER DECK.....	18-19
BAGGER.....	20-21

TRACTOR- -MODEL NO. 15-107R (MBA15107RBB), PRODUCT 964 77 35-00  
SCHEMATIC



# REPAIR PARTS

TRACTOR- -MODEL NO. 15-107R (MBA15107RBB), PRODUCT 964 77 35-00  
ELECTRICAL



## REPAIR PARTS

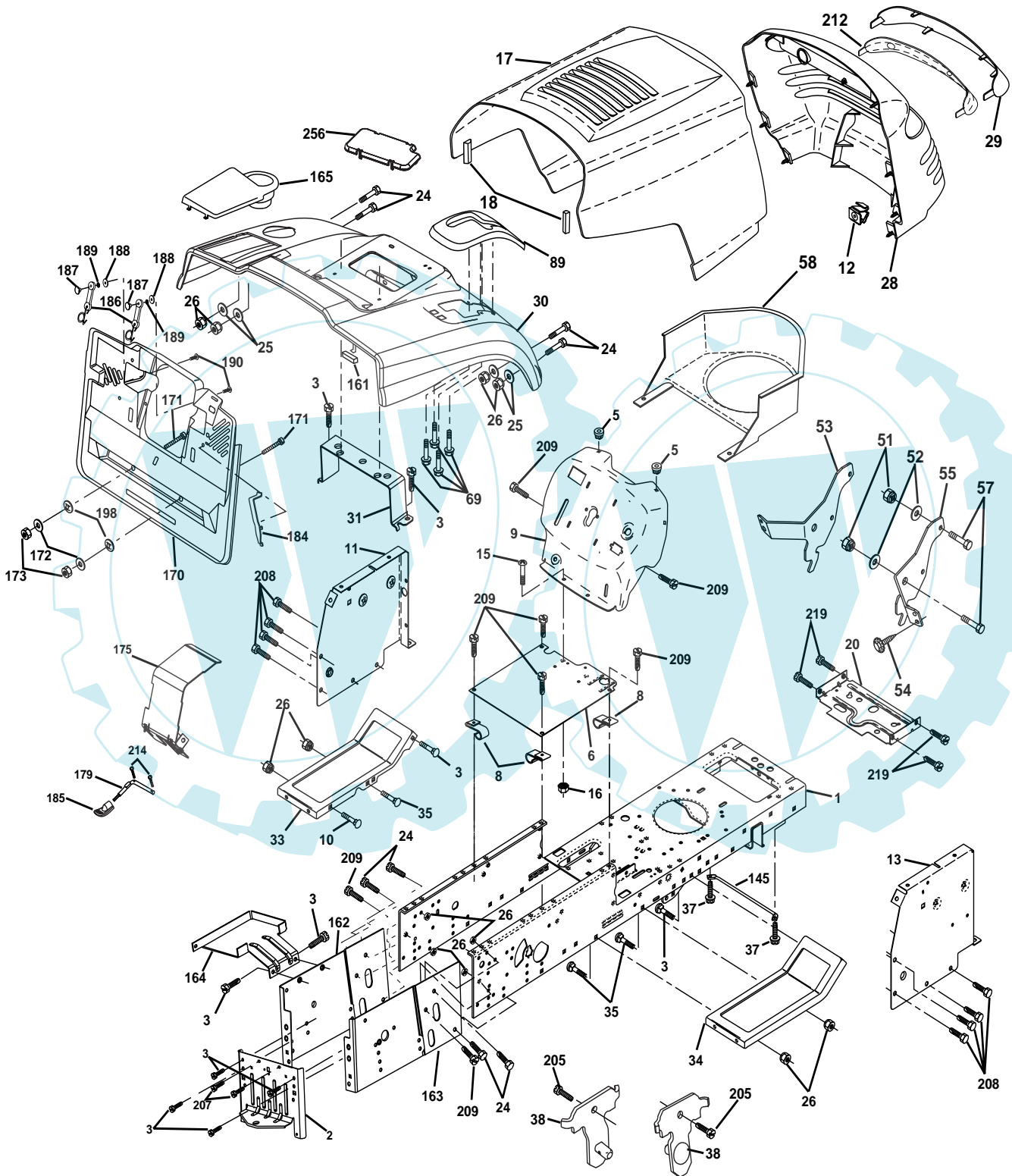
TRACTOR- -MODEL NO. 15-107R (MBA15107RBB), PRODUCT 964 77 35-00  
ELECTRICAL

KEY NO.	PART NO.	DESCRIPTION
1	163465	Battery
2	74760412	Bolt Hex Hd 1/4-20 Unc X 3/4
16	176138	Switch Interlock
21	<b>175685</b>	Harness Asm Light W/4152J
22	4152J	Bulb Light #1156
24	4799J	Cable Battery
25	165987	Cable Battery Crd 56" Red
26	175158	Fuse
27	73510400	Nut Keps Hex 1/4-20 Unc
28	127725X	Cable Ground 6Ga 18" Black
29	160784	Switch Plunger Normal Op Olive
30	175566	Switch Ignition
33	140401	Key Ign Molded
40	179728	Harness Ign Crd Noram
41	71110408	Bolt Flk Fin Hex 1/4-20 Unc X 1/2
42	131563	Cover Terminal Red
43	178861	Solenoid
48	140844	Adapter Ammeter Rectangular
52	141940	Protection Wire Loop
58	169419	Buzzer Crd
59	180379	Switch FBI CRD
66	17490608	Screw Thdrol 3/8-16 x 1/2 Ty-Tt
81	109748X	Relay Asm

**NOTE:** All component dimensions given in U.S. inches.  
1 inch = 25.4 mm.

# REPAIR PARTS

TRACTOR- -MODEL NO. 15-107R (MBA15107RBB), PRODUCT 964 77 35-00  
CHASSIS AND ENCLOSURES



# REPAIR PARTS

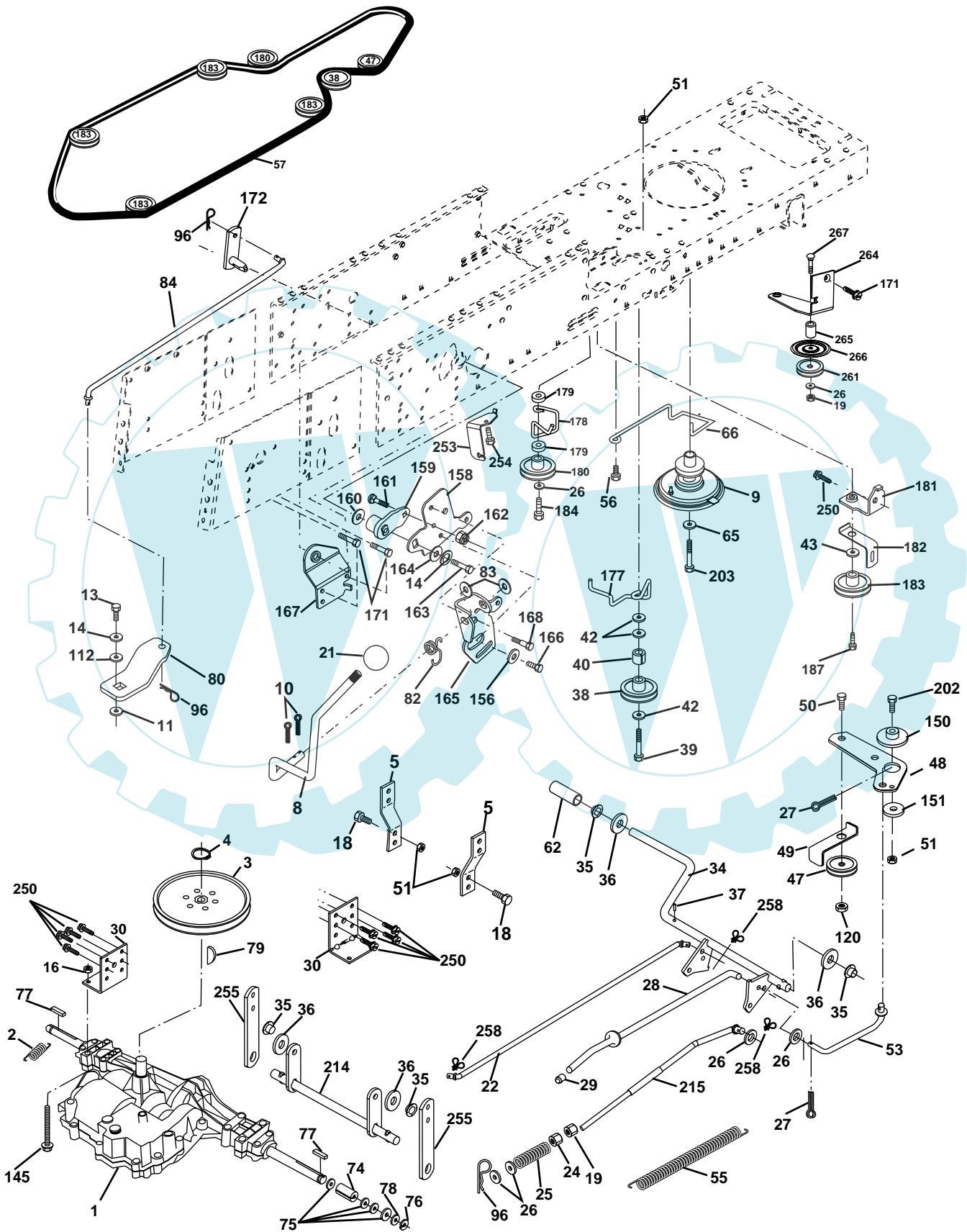
## TRACTOR- -MODEL NO. 15-107R (MBA15107RBB), PRODUCT 964 77 35-00 CHASSIS AND ENCLOSURES

KEY NO.	PART NO.	DESCRIPTION	KEY NO.	PART NO.	DESCRIPTION
1	174620	Chassis	58	150127	Duct Air Engine
2	180384	Drawbar	69	142432	Screw Hex Wsh
3	17060612	Screw 3/8-16 x 3/4	89	177288X428	Console
5	155272	Bumper Hood/Dash	145	156524	Rod Pivot Chassis/Hood
6	155923	Saddle	161	<b>164655</b>	Bumper Extrusion
8	126471X	Clip Insulator 13/32 Mtg. Hole	162	180382	Bracket Exten Chassis Lh CRD
9	168347X011	Dash	163	180383	Bracket Exten Chassis Rh CRD
10	72140608	Bolt, Carriage 3/8-16 x 3/4	164	165605	Support Battery CRD
11	<b>174996</b>	Panel, Dash, L.H.	165	179020X428	Cover Battery
12	145660	Clip Tinnerman	170	178862	Backplate Asm CRD
13	<b>172105X010</b>	Panel, Asm. Dash R.H.	171	72140620	Bolt Rdhd Sqnk 3/8-16 x 2-1/2 Gr. 5
15	74180512	Screw, Machine, Truss Head 5/16-18 UNC x 3/4	172	19132016	Washer 13/32 x 1-1/4 x 16 Ga.
16	73510500	Nut	173	73510600	Nut, Keps Hex 3/8-16 UNC
17	159639X558	Hood	175	180310	Guard Trap
18	126938X	Bumper Hood	179	180376	Rod Pivot FBI CRD
20	180679	Plate Mtg Battery/Fuel	184	174662	Bracket Actuator Bagger CRD
24	74780616	Bolt	185	179608X505	Knob Rod Brake Parking
25	19131312	Washer 13/32 x 13/16 x 12 Gauge	186	160793	Latch Asm Mulch/Bagger
26	73800600	Nut	187	2029J	Nut Weld
28	179777	Grille /Lens Asm	188	19061216	Washer #10
29	150209X599	Lens, Grille	189	10071000	Washer Lock #10
30	169962X558	Fender	190	71081010	Screw Pan Hd Phillip 10-24 x 5/8
31	165156	Bracket, Fender Support	198	168937	Nut, Push
33	179716X558	Footrest, L.H.	205	17490608	Screw Thdrol 3/8-16 x 1/2
34	179717X558	Footrest, R.H.	207	17670508	Screw Thdrol 5/16-18 x 1/2
35	72110606	Bolt	208	17670608	Screw Thdrol 3/8-16 x 1/2
37	17490508	Screw Thdrol 5/16-18 x 1/2 TYT	209	17000612	Screw Hex Wsh Thdrol 3/8-16
38	<b>181748</b>	Bracket Asm Pivot Mower Rear	212	156494	Insert Lens Reflective
51	73800400	Nut Lock w/Fns 1/4-20	214	4497H	Retainer Spring
52	19091416	Washer 9/32 x 7/8 x 16 Ga.	219	<b>17000512</b>	Screw 5/16-18 x 3/4
53	144697	Bracket Grille LH	256	180810X428	Cover Fender Rack CRD
54	161464	Screw Hex WSHD 8-18 x 7/8	--	5479J	Plug, Button
55	144696	Bracket Grille RH			
57	74780412	Bolt Fins Hex 1/4-20 x 3/4			

**NOTE:** All component dimensions given in U.S. inches.  
1 inch = 25.4 mm.

# REPAIR PARTS

TRACTOR- -MODEL NO. 15-107R (MBA15107RBB), PRODUCT 964 77 35-00  
DRIVE





# REPAIR PARTS

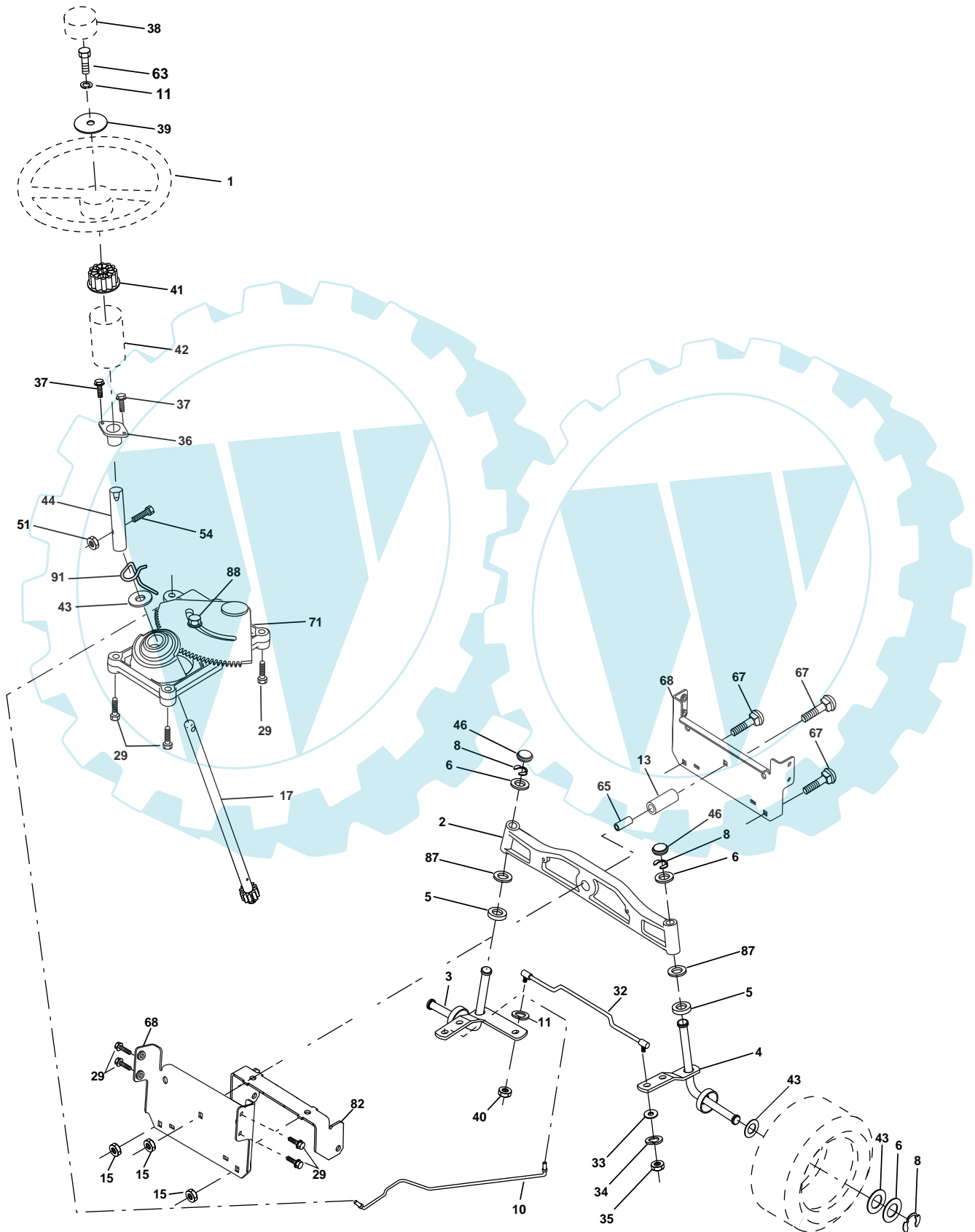
## TRACTOR- -MODEL NO. 15-107R (MBA15107RBB), PRODUCT 964 77 35-00 DRIVE

KEY NO.	PART NO.	DESCRIPTION	KEY NO.	PART NO.	DESCRIPTION
1	-----	Transaxle Peerless 206-546 (Order parts from transaxle manufacturer)	79	2228M	Key Woodruff
2	146682	Spring Brake Return	80	145090	Arm Shift PMST 20" Tires
3	165999	Pulley Transaxle	82	165711	Spring, Torsion
4	12000028	Ring Retainer #5100-62	83	19171216	Washer 17/32 x 3/4 x 16 Ga.
5	121520X	Strap torque 30 degrees	84	165621	Link Shift CRD Pmst 18" Tires
8	165619	Rod Shift Fender Adjust Lt	96	4497H	Spring, Retainer 1"
9	<b>180354</b>	Clutch Asm Noram	112	19091210	Washer 9/32 x 3/4 x 10 Ga.
10	76020416	Pin, Cotter 1/8 x 1	120	73900600	Nut Lock Flg. 3/8-16 UNC
11	105701X	Washer Plate Shf .3888 sq hole	145	74490540	Bolt Hex FGHD 5/16-18 x Gr 5
13	74550412	Bolt 1/4-28 Unf Gr 8 w/patch	150	165850	Bushing, Bellcrank Grnd Dr
14	10040400	Washer, Lock Hvy Helical	151	19133210	Washer 13/32 x 2 x 10 Ga.
16	73800500	Nut, Lock Hex w/Ins 5/16-18 UNC	156	166002	Washer Srrd 5/16 ID x 1.125
18	74780616	Bolt Hex 3/8-16 UNC x 1 Gr.5	158	165589	Bracket Shift Mount
19	73800600	Nut, Lock Hex w/Wsh 3/8-16 UNC	159	165494	Hub Tapered Flange Shift Lt
21	106933X	Knob Rd 1/2-13 Plstc Thds Blk	160	19292016	Washer 29/32 x 1-1/4 x 16 Ga.
22	175607	Rod, Brake CRD	161	72140406	Bolt Rdhd Sqnk 1/4-20 x 3/4 Gr 5
24	73350600	Nut	162	73680400	Nut Crownlock 1/4-20 UNC
25	106888X	Spring, Rod, Brake	163	74780416	Bolt Hex Fin 1/4-20 Unc x 1 Gr 5
26	19131316	Washer 13/32 x 13/16 x 16 Ga.	164	19091010	Washer 5/8 x .281 x 10 Ga.
27	76020412	Pin, Cotter 1/8 x 3/4	165	165623	Bracket Pivot Lever
28	175765	Rod, Parking Brake	166	166880	Screw 5/16-18 x 5/8
29	71673	Cap, Parking Brake	167	165588	Bracket Support Shift CRD
30	174973	Bracket, Mfg. Transaxle	168	165492	Bolt Shoulder 5/16-18 x .561
34	175578	Shaft, Asm Pedal Foot	171	17490608	Screw Thdrol 3/8-16 x 1/2 Ty-Tt
35	120183X	Bearing, Nylon	172	165635	Shaft Asm Shift Front CRD PMST
36	19211616	Washer 21/32 x 1 x 16 Ga.	177	165932	Keeper Flat Idler 3.06" CRD
37	1572H	Pin, Roll 3/16 x 1"	178	165933	Keeper Belt Idler 1.88" CRD
38	165936	Pulley, Flat	179	120958X	Washer Sintered
39	74760644	Bolt Fin Hex 3/8-16 Unc x 2-3/4	180	165630	Pulley Flat Idler
40	4470J	Spacer, Split 395 x 59 Bzp	181	180211	Bracket Idler Ground Drive CRD
42	19131312	Washer 13/32 x 13/16 x 12 Ga.	182	<b>182682</b>	Keeper Belt 2.5" Od V-Idler CRD
43	<b>19111012</b>	Washer 11/32 x 5/8 x 12 Ga.	183	179050	Pulley V-Idler
47	127783	Pulley, Idler, V Groove Plastc	184	17490644	Screw Hexwsh Thdrol 3/8-16 x 2-3/4
48	154407	Bellcrank Clutch Grnd Drv	187	17580520	Screw thdrol 5/16-18 x 1 1/4
49	123205X	Retainer, Belt Style Spring	202	<b>72110614</b>	Bolt Carr sh 3/8-16 x 1 3/4 Gr. 5
50	74760624	Bolt Hex Hd 3/8-16 UNC x 1-1/2	203	71170780	Bolt Hex 7/16-20 x 5
51	73680600	Nut, Crownlock 3/8-16 UNC	214	175609	Shaft Asm Blade
53	105710X	Link, Clutch 7.66	215	175651	Rod Brake Secondary
55	105709X	Spring, Return, Clutch	250	17060612	Screw 3/8-16 x .75
56	17060620	Screw 3/8-16 x 1-1/4	253	175028	Bracket Cable Chassis
57	165631	V-Belt Kev PMST CRD	254	17060616	Screw 3/8-16 x 1
62	8883R	Cover, Pedal	255	175608	Brace Shaft Brake Mtg.
65	10040700	Washer	258	178062	Clip Retainer
66	154778	Keeper, Belt Engine F-Proof	261	<b>131494</b>	Pulley Idler
74	137057	Spacer Axle	264	<b>181995</b>	Bracket Clutch Mtg
75	121749X	Washer 25/32 x 1-1/4 x 16 Ga.	265	<b>182013</b>	Spacer Idler Chassis
76	12000001	Ring, E	266	<b>182061</b>	Shield Idler Mower
77	123583X	Key, Square	267	<b>72140626</b>	Bolt 3/8-16 x 3-1/4
78	121748X	Washer 25/32 x 1-5/8 x 16 Ga.			

**NOTE:** All component dimensions given in U.S. inches  
1 inch = 25.4 mm

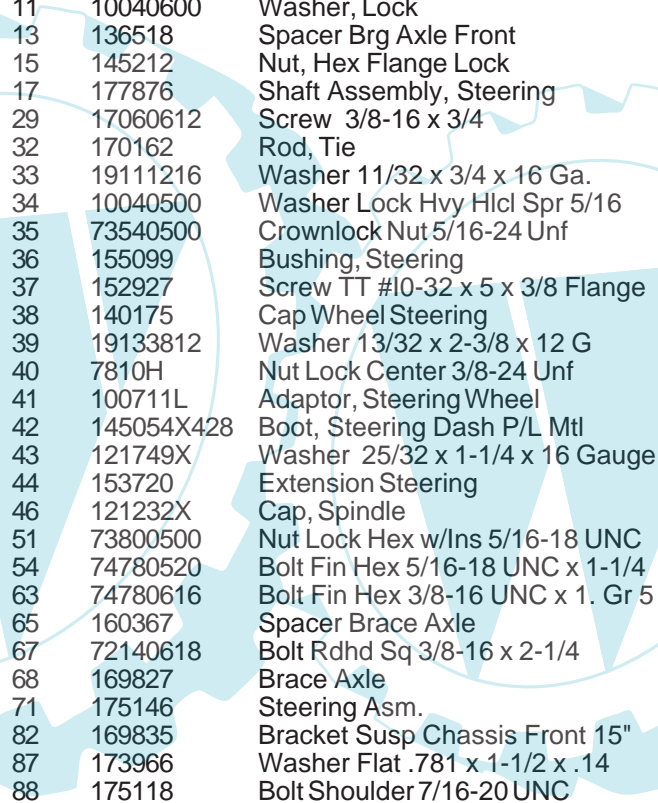
# REPAIR PARTS

TRACTOR- -MODEL NO. 15-107R (MBA15107RBB), PRODUCT 964 77 35-00  
STEERING ASSEMBLY



## REPAIR PARTS

TRACTOR- -MODEL NO. 15-107R (MBA15107RBB), PRODUCT 964 77 35-00  
STEERING ASSEMBLY

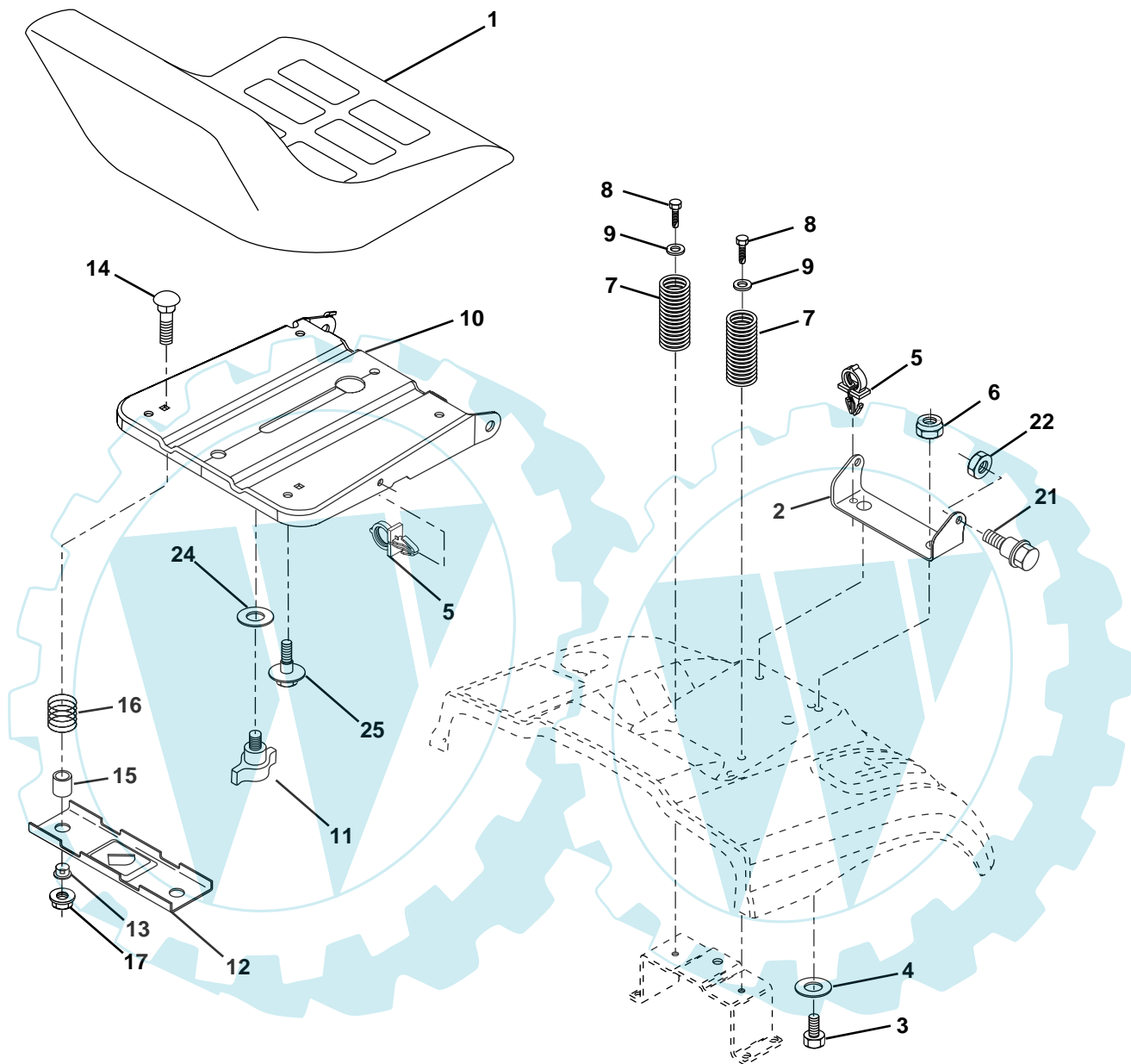


KEY NO.	PART NO.	DESCRIPTION
1	139768	Steering Wheel
2	172393	Axle Asm Cast Iron Lt
3	169840	Spindle Assembly, L.H.
4	169839	Spindle Assembly, R.H.
5	6266H	Washer, Thrust .75 x 1.230
6	121748X	Washer 25/32 x 1-5/8 x 16 Gauge
8	1200029	Ring, Klip
10	175121	Link, Drag
11	10040600	Washer, Lock
13	136518	Spacer Brg Axle Front
15	145212	Nut, Hex Flange Lock
17	177876	Shaft Assembly, Steering
29	17060612	Screw 3/8-16 x 3/4
32	170162	Rod, Tie
33	19111216	Washer 11/32 x 3/4 x 16 Ga.
34	10040500	Washer Lock Hvy Hlcl Spr 5/16
35	73540500	Crownlock Nut 5/16-24 Unf
36	155099	Bushing, Steering
37	152927	Screw TT #10-32 x 5 x 3/8 Flange
38	140175	Cap Wheel Steering
39	19133812	Washer 13/32 x 2-3/8 x 12 G
40	7810H	Nut Lock Center 3/8-24 Unf
41	100711L	Adaptor, Steering Wheel
42	145054X428	Boot, Steering Dash P/L Mtl
43	121749X	Washer 25/32 x 1-1/4 x 16 Gauge
44	153720	Extension Steering
46	121232X	Cap, Spindle
51	73800500	Nut Lock Hex w/Ins 5/16-18 UNC
54	74780520	Bolt Fin Hex 5/16-18 UNC x 1-1/4
63	74780616	Bolt Fin Hex 3/8-16 UNC x 1. Gr 5
65	160367	Spacer Brace Axle
67	72140618	Bolt Rdhd Sq 3/8-16 x 2-1/4
68	169827	Brace Axle
71	175146	Steering Asm.
82	169835	Bracket Susp Chassis Front 15"
87	173966	Washer Flat .781 x 1-1/2 x .14
88	175118	Bolt Shoulder 7/16-20 UNC
91	175553	Clip Steering

**NOTE:** All component dimensions given in U.S. inches.  
1 inch = 25.4 mm.

# REPAIR PARTS

TRACTOR- -MODEL NO. 15-107R (MBA15107RBB), PRODUCT 964 77 35-00  
SEAT ASSEMBLY



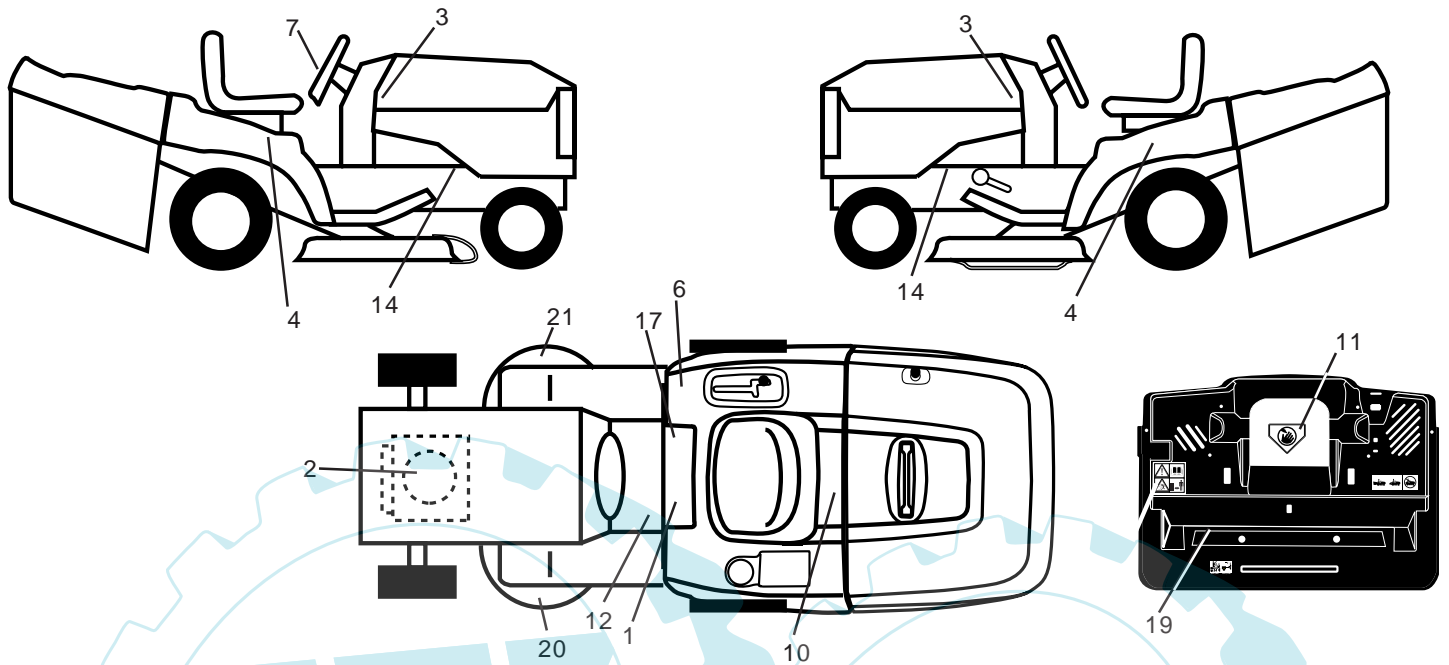
KEY NO.	PART NO.	DESCRIPTION
1	175390	Seat
2	140551	Bracket Pnt Pivot Seat (blk )
3	71110616	Bolt Fin Hex 3/8-16 UNC x 1
4	19131610	Washer Flat 13/32 x 1 x 10 Ga
5	145006	Clip Push In Hinged
6	73800600	Nut Lock Hex w/Ins 3/8-16 UNC
7	124181X	Spring Seat Cprsn 2 250 Blk Zi
8	17000616	Screw 3/8-16 X 1-1/2
9	19131614	Washer 13/32 X 1 X 14 Ga
10	174894	Pan Assembly Seat Tool-Free
11	166369	Knob Seat Adj. Wingnut
12	121246X	Bracket Pnt Mounting Switch

KEY NO.	PART NO.	DESCRIPTION
13	121248X	Bushing Snap Blk Nyl 50 Id
14	72050412	Bolt Rdhd Sht Nk 1/4-20x1-1/2
15	121249X	Spacer Split
16	123740X	Spring Cprsn Plate SW 1.310 Ga
17	123976X	Nut Lock 1/4 Lge Flg Gr 5 Zinc
21	171852	Bolt Shoulder 5/16-18 Unc-2A
22	73800500	Nut Hex Lock w/Ins 5/16-18
24	19171912	Washer 17/32 X 1-3/16 X 12 Ga.
25	127018X	Bolt Shoulder 5/16-18 X 62

**NOTE:** All component dimensions given in U.S. inches.  
1 inch = 25.4 mm

# REPAIR PARTS

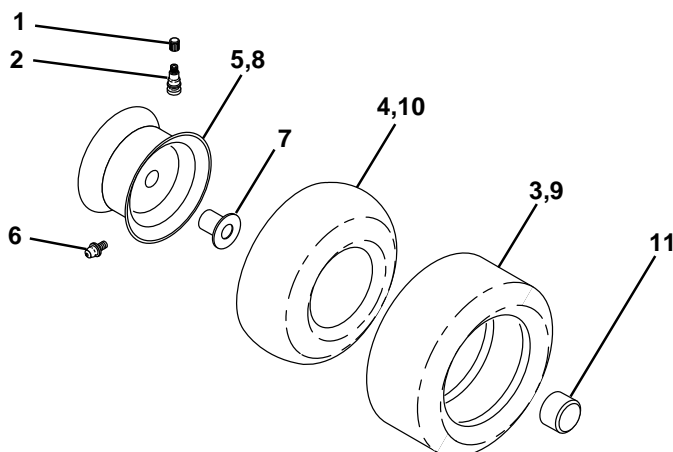
TRACTOR- -MODEL NO. 15-107R (MBA15107RBB), PRODUCT 964 77 35-00  
DECALS



KEY NO.	PART NO.	DESCRIPTION
1	145498	Decal Read Owner's Manual Sym
2	180972	Decal Hp Engine
3	171668	Decal Hood
4	175801	Decal Fender
6	<b>180432</b>	Decal 100 DBA/CE
7	167970	Decal Ins Strg Whl
10	145005	Decal Bat Dan/Poi P/L Sym Wpn
11	<b>182166</b>	Decal Mower Cut Finger Symbol
12	159737	Decal Brake/Clutch Symbol Lt
14	159736	Decal Chassis Hot Muffler
17	140837	Decal Saddle Brake Parking

KEY NO.	PART NO.	DESCRIPTION
19	180435	Decal Backplate CRD Symbols
20	134999	Decal Enviro Deck
21	166286	Decal Deck Sch
—	<b>182621</b>	Decal Bagger Frame
—	138311	Decal Lift Handle
—	179769X428	Pad Footrest R.H.
—	179768X428	Pad Footrest L.H.
—	<b>182182</b>	Manual Operator's (Euro)
—	<b>182183</b>	Manual Parts

## WHEELS & TIRES

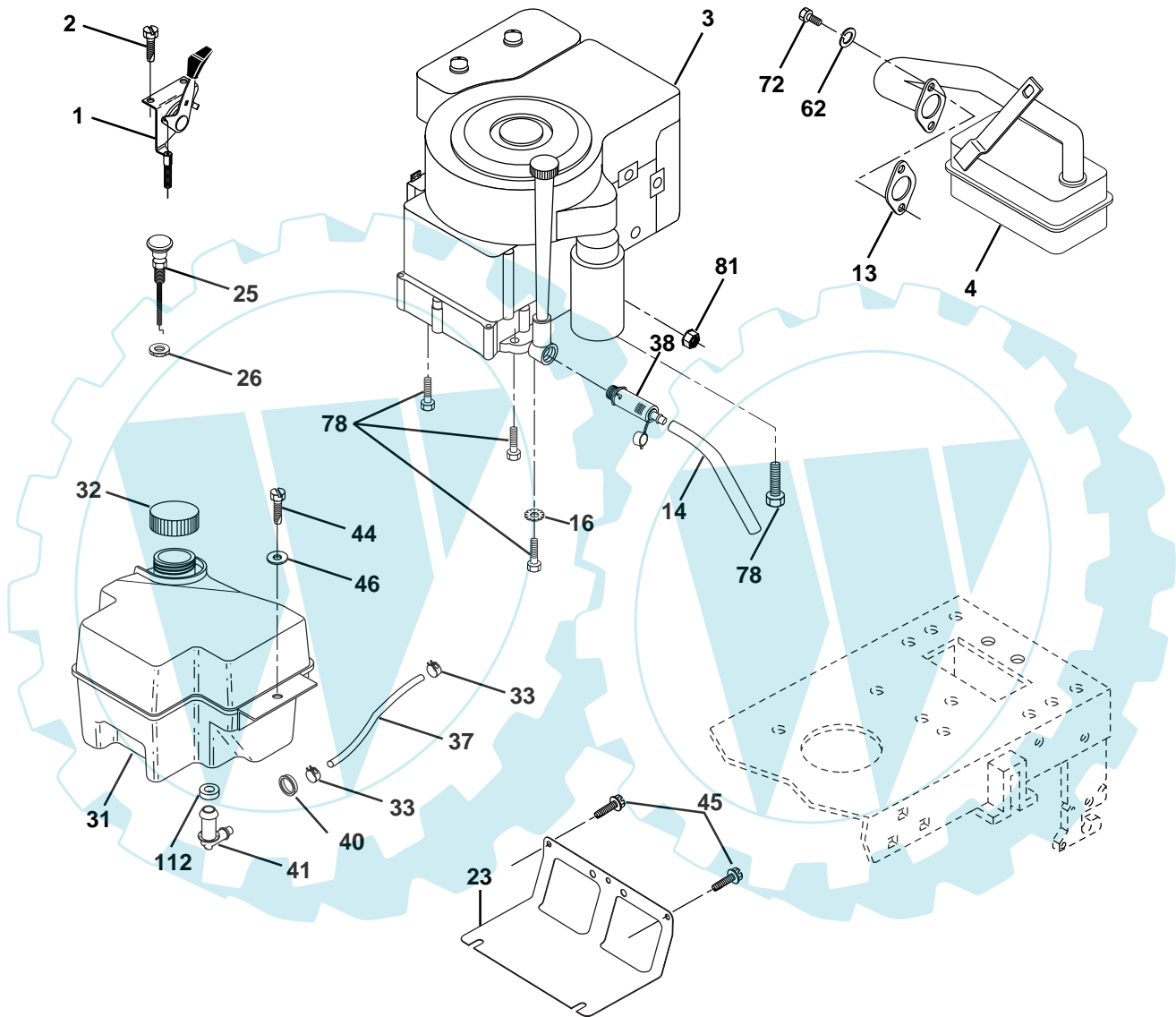


KEY NO.	PART NO.	DESCRIPTION
1	59192	Cap Value Tire
2	65139	Stem Value
3	106222X	Tire F Ts 15 X 6 0 - 6 Service
4	59904	Tube Inner Front #35060
5	106732X427	Rim Asm 6" front Service
6	278H	Fitting Grease
7	9040H	Bearing Flange
8	106108X427	Rim Asm 8" rear Service
9	124635X	Tire R Ts 18 x 8.5-8 Service
10	7152J	Tube Rear 9 5 X 8 Service
11	104757X428	Cap Axle Blk 1 50 X 1 00
--	144334	Sealant, Tire (10 oz. tube)

**NOTE:** All component dimensions given in U.S. inches  
1 inch = 25.4 mm

# REPAIR PARTS

TRACTOR- -MODEL NO. 15-107R (MBA15107RBB), PRODUCT 964 77 35-00  
ENGINE



29  
**OPTIONAL EQUIPMENT**  
Spark Arrester

## REPAIR PARTS

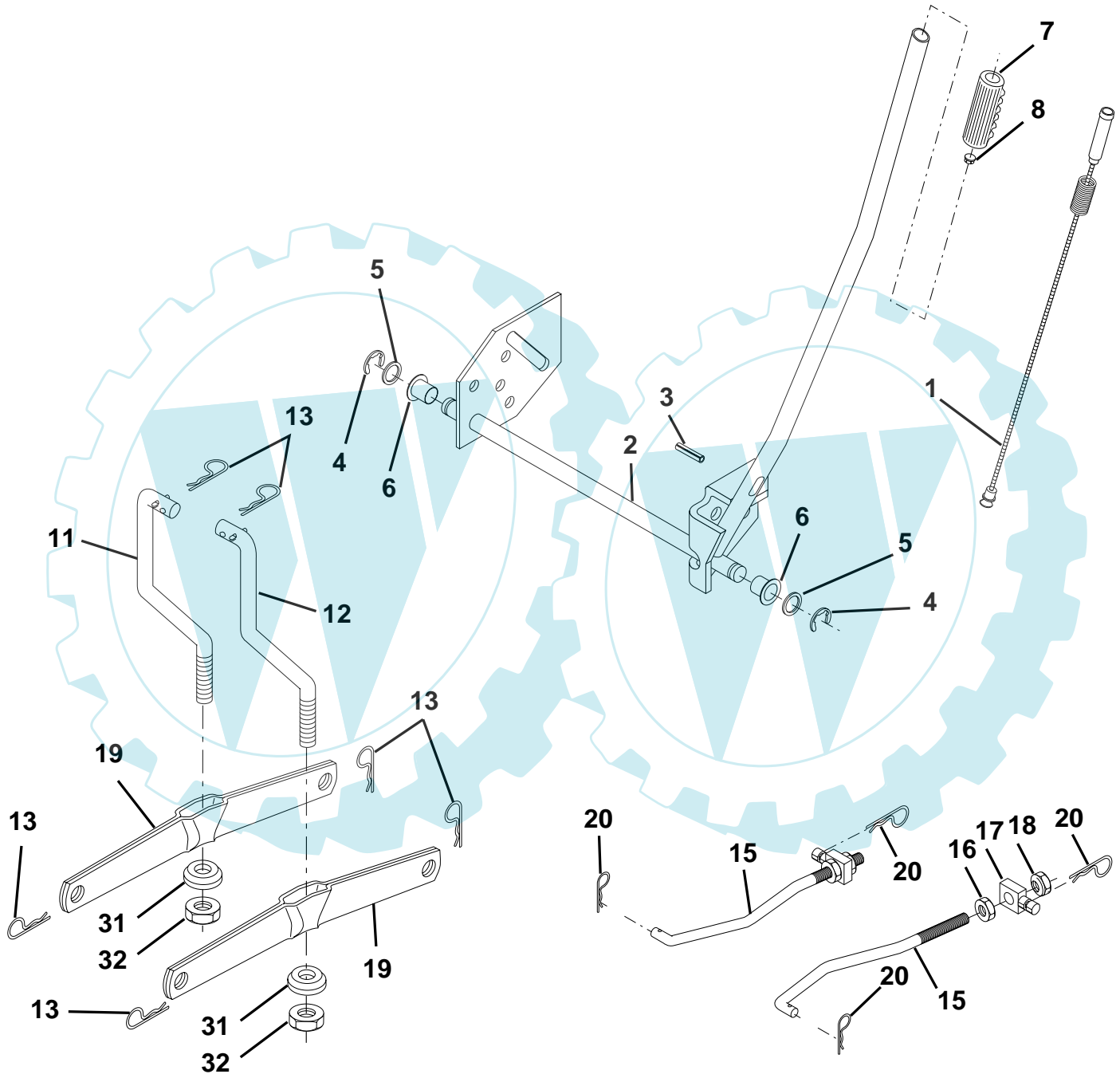
TRACTOR- -MODEL NO. 15-107R (MBA15107RBB), PRODUCT 964 77 35-00  
ENGINE

KEY NO.	PART NO.	DESCRIPTION
1	<b>170551</b>	Control Throt/Ch
2	17720408	Screw Hex Thd Cut 1/4-20 x 1/2
3	-----	Engine Briggs Model 28U707 (Order Parts from Engine Manufacturer)
4	137352	Muffler
13	165291	Gasket 1 313 Id Tin Plated
14	<b>148456</b>	Tube Oil Drain
16	11050600	Washer Lock Ext Tooth 3/8
23	169837	Shield Browning/Debris Guard
25	<b>180945</b>	Control Choke 1 Cyl.
26	<b>73920600</b>	Nut Keps 3/8-24 Unf
29	137180	Arrestor Spark
31	180645	Tank Fuel
32	140527	Cap Asm Fule Top Vent N/Lany
33	123487X	Clamp Hose Blk
37	137040	Line Fuel 20"
38	<b>148315</b>	Oil Drain
40	124028X	Bushing Snap
41	139277	Stem Tank Fuel
44	17670412	Screw Hexwsh Thdrol 1/4-20x3/4
45	17000612	Screw Hexwsh Thdrol 3/8-16 x 3/4
46	19091416	Washer 9/32 X 7/8 X 16ga
62	10040500	Washer Lock Hvy Hlcl Spr 5/16
72	71070512	Screw Hex Hd Cap 5/16-18 x 3/4
78	17060620	Screw 3/8-16x1-1/4
81	73510400	Nut Keps Hex 1/4-20 Unc
112	3645J	Bushing

**NOTE:** All component dimensions given in U.S. inches  
1 inch = 25.4 mm

# REPAIR PARTS

TRACTOR- -MODEL NO. 15-107R (MBA15107RBB), PRODUCT 964 77 35-00  
MOWER LIFT





## REPAIR PARTS

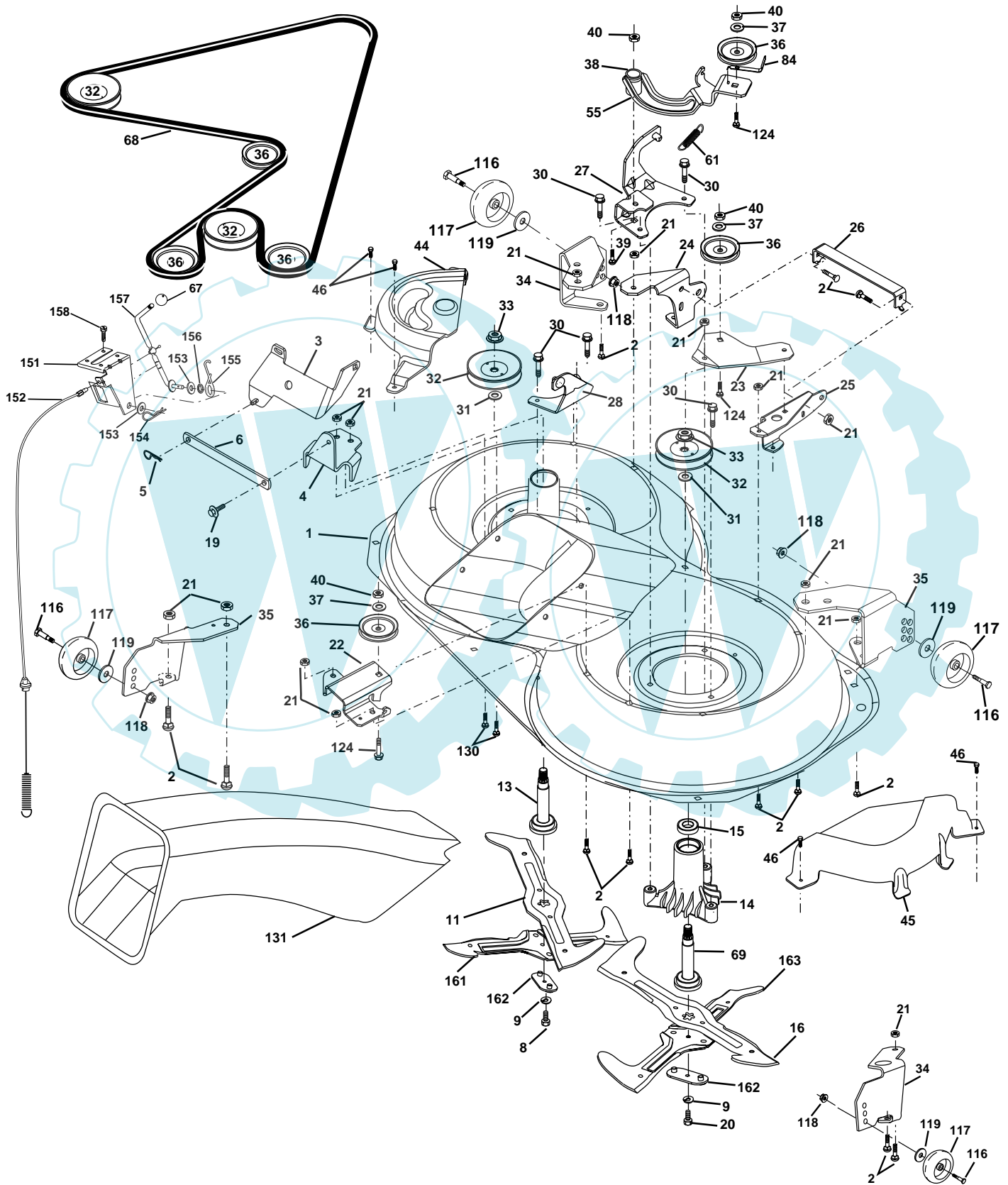
TRACTOR- -MODEL NO. 15-107R (MBA15107RBB), PRODUCT 964 77 35-00  
MOWER LIFT

KEY NO.	PART NO.	DESCRIPTION
1	159460	Washer Asm Inner Spring W/Plunger
2	159471	Shaft Asm. Lift
3	105767X	Pin Groove
4	12000002	E Ring #5133-62
5	19211621	Washer 21/32 x 1 x 21 Ga.
6	120183X	Bearing Nylon
7	109413X	Grip Handle
8	124526X	Button Plunger Black
11	165829	Link Asm Lift L.H.
12	165831	Link Asm Lift R.H.
13	4939M	Retainer Spring
15	173288	Link Front
16	73350800	Nut Jam Hex 1/2-13 Unc
17	175689	Trunnion
18	73800800	Nut Lock w/Wsh 1/2-13 Unc
19	139868	Arm Suspension Mower
20	163552	Retainer Spring
31	169865	Bearing, Pvt. Lift.
32	73540600	Nut Crownlock 3/8-24

**NOTE:** All component dimensions given in U.S. inches  
1 inch = 25.4 mm

# REPAIR PARTS

TRACTOR- -MODEL NO. 15-107R (MBA15107RBB), PRODUCT 964 77 35-00  
MOWER



# REPAIR PARTS

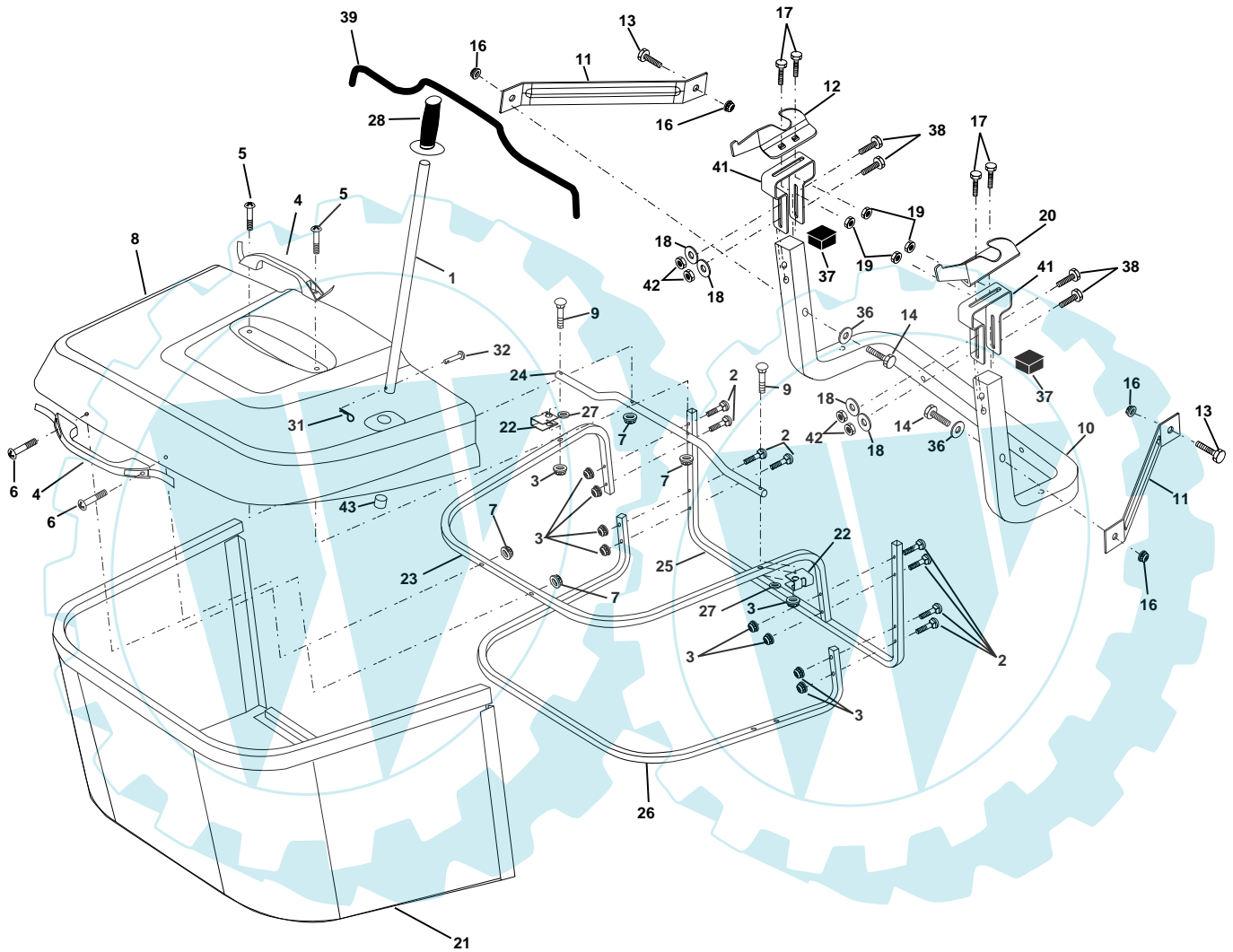
TRACTOR- -MODEL NO. 15-107R (MBA15107RBB), PRODUCT 964 77 35-00  
MOWER

KEY NO.	PART NO.	DESCRIPTION	KEY NO.	PART NO.	DESCRIPTION
1	169160	Housing Asm. Mower	45	175539	Cover Mandrel Rh
2	72140506	Bolt Rdhd Sqnk 5/16-18 Unc x 3/4	46	137729	Screw Thd Roll 1/4-20 x 5/8
3	165569	Bracket Asm. S-Bar Chass	55	169849	Arm Idler 107 CRD
4	169167	Bracket Bar Sway Deck	61	175159	Spring Tension Belt
5	4939M	Retainer Spring	67	106932X	Knob Rd 3/8-16 Plstc Thds Blk
6	165557	Bar Sway	68	169178	Hex-Belt Mower
8	<b>181712</b>	Bolt 3/8-24 x 1.25 Gr8 Patched	69	165482	Shaft Asm W/Lwr Brg Rh Thd CRD
9	10030600	Washer Lock Hvy 3/8 Unplated	84	156085	Keeper Belt Idler
11	<b>180583</b>	Blade 3-1 Lh 107	116	137644	Bolt Shoulder
13	137645	Shaft Asm. W/Lower Bearing	117	133957	Wheel Gage Donut Wide
14	128774	Housing Mandrel Vented (Machd)	118	73930600	Nut Centerlock 3/8-16 Unc
15	110485X	Bearing Ball Mandrel	119	19121414	Washer 3/8 x 7/8 x 14 Ga.
16	<b>180584</b>	Blade 3-1 Rh 107	124	72110612	Bolt Carr Sh 3/8-16 x 1-1/2 Gr5
19	132827	Bolt Shoulder 5/16-18 Thd Form	130	72110506	Bolt Rdhdsqnk 5/16-18 Unc x 3/4
20	<b>181713</b>	Bolt 3/8-24 x 1.25 Gr8 Ptch Lhthd	131	165661	Chute Bagger CRD
21	73680500	Nut Crown Lock 5/16-18	151	169670	Bracket Clutch Cable
22	169165	Bracket Idler RR	152	176074	Cable Clutch CRD Service
23	169166	Bracket Idler RF	153	169674	Washer Flat 3/8" Type B
24	169170	Bracket Suspension LF	154	169675	Spring Retainer
25	169171	Bracket Suspension RF	155	169671	Spring Retention Lvr Cltch Cab
26	165237	Brace Support Susp Frt CRD	156	169672	Spacer Clutch Cable
27	169172	Bracket Asm. Susp RR	157	169669	Rod Clutch Cable 3/8"
28	169168	Bracket Asm. Susp LR	158	17720410	Screw Hex Thd Cut 1/4-20 x 5/8
30	173984	Screw Thd Rolling Dod Pt	161	<b>180424</b>	Blade Cross LH 107
31	129963	Washer Spacer Mower Vented	162	<b>180878</b>	Adapter Weldment Blade
32	175707	Mandrel Pulleys	163	<b>180425</b>	Blade Cross RH 107
33	178342	Nut Flg Top Lock	-	<b>181857</b>	Mandrel Assembly (Includes Housing, Shaft and Shaft Hardware Only - Pulley Not Included)
34	179509	Bracket Gauge Wheel Lf	-	<b>181858</b>	Mandrel Asm CRD Lh Threads SVC
35	176292	Bracket Gauge Wheel Rf	-	<b>181770</b>	Replacement Mower Complete
36	146763	Pulley Idler V-Groove Dim 4.25			
37	19131316	Washer 11/32 x 13/16 x 16 Ga			
38	169851	Spacer Hub Arm Idler 107 CRD			
39	72110622	Bolt Crownlock 3/8-16 Unc			
40	73680600	Nut Crownlock 3/8-16 Unc			
44	175538	Cover Mandrel Lh			

**NOTE:** All component dimensions given in U.S. inches  
1 inch = 25.4 mm

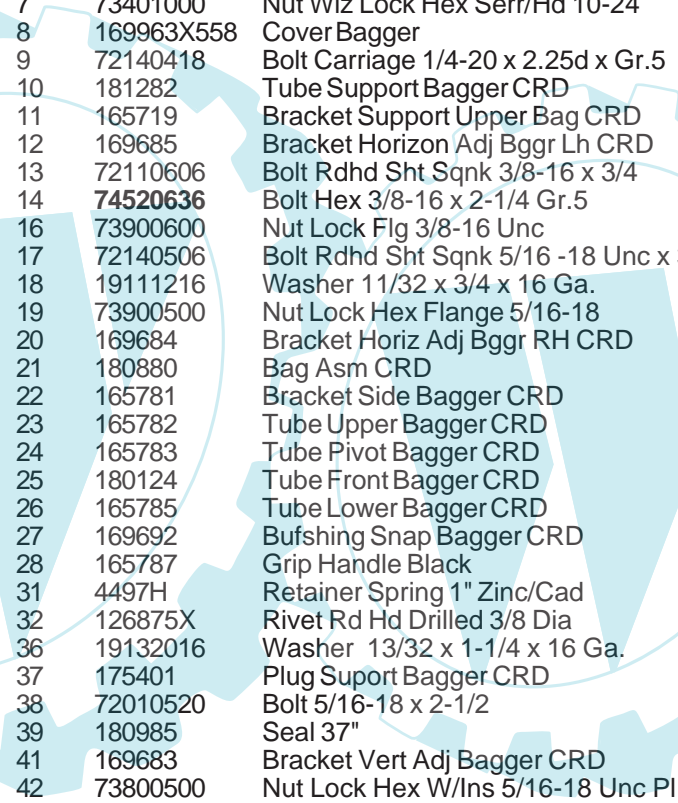
# REPAIR PARTS

TRACTOR- -MODEL NO. 15-107R (MBA15107RBB), PRODUCT 964 77 35-00  
BAGGER



# REPAIR PARTS

TRACTOR- -MODEL NO. 15-107R (MBA15107RBB), PRODUCT 964 77 35-00  
BAGGER



KEY NO.	PART NO.	DESCRIPTION
1	165249	Tube Handle Bagger CRD
2	72140416	Bolt Carriage 1/4-20 x 2.0 Gr.5
3	123976X	Nut Lock 1/4 Lge Flg Gr. 5 Zinc
4	169916	Handle Bagger w/Lvrs Blk CRD
5	74981024	Screw Pan Head #10-24 x 1.50 Blk
6	74981032	Screw Pan Hd
7	73401000	Nut Wiz Lock Hex Serr/Hd 10-24
8	169963X558	Cover Bagger
9	72140418	Bolt Carriage 1/4-20 x 2.25d x Gr.5
10	181282	Tube Support Bagger CRD
11	165719	Bracket Support Upper Bag CRD
12	169685	Bracket Horizon Adj Bggr Lh CRD
13	72110606	Bolt Rdhd Sht Sqnk 3/8-16 x 3/4
14	<b>74520636</b>	Bolt Hex 3/8-16 x 2-1/4 Gr.5
16	73900600	Nut Lock Flg 3/8-16 Unc
17	72140506	Bolt Rdhd Sht Sqnk 5/16 -18 Unc x 3/4
18	19111216	Washer 11/32 x 3/4 x 16 Ga.
19	73900500	Nut Lock Hex Flange 5/16-18
20	169684	Bracket Horiz Adj Bggr RH CRD
21	180880	Bag Asm CRD
22	165781	Bracket Side Bagger CRD
23	165782	Tube Upper Bagger CRD
24	165783	Tube Pivot Bagger CRD
25	180124	Tube Front Bagger CRD
26	165785	Tube Lower Bagger CRD
27	169692	Bufshing Snap Bagger CRD
28	165787	Grip Handle Black
31	4497H	Retainer Spring 1" Zinc/Cad
32	126875X	Rivet Rd Hd Drilled 3/8 Dia
36	19132016	Washer 13/32 x 1-1/4 x 16 Ga.
37	175401	Plug Suport Bagger CRD
38	72010520	Bolt 5/16-18 x 2-1/2
39	180985	Seal 37"
41	169683	Bracket Vert Adj Bagger CRD
42	73800500	Nut Lock Hex W/Ins 5/16-18 Unc PI
43	<b>174083</b>	Plug Tubing End

**NOTE:** All component dimensions given in U.S. inches  
1 inch = 25.4 mm



TECUMSEH

# SERVICE POLICY

## WARRANTY



TECUMSEH

Issued January 1980  
Revised January 1991

### LIMITED WARRANTIES FOR NEW PEERLESS GEAR POWER TRAIN COMPONENTS

#### A. Products Warranted

Peerless Gear and Machine Division of Tecumseh Products Company ("Tecumseh"), subject to the limitations contained below, will, at its option, repair or replace, without charge for parts or labor only, any part of a new Power Train Component (which as used herein means and includes the transaxle, gear box, transmission, differential and right angle drives, and any part of the Power Train Component), EXCEPT any new Power Train Component incorporated in equipment used for commercial or rental purposes, which is found upon examination by any Tecumseh Authorized Service Outlet or by Tecumseh's factory in Grafton, Wisconsin, to be DEFECTIVE IN MATERIAL AND/OR WORKMANSHIP if received by Tecumseh or a Tecumseh Authorized Service Outlet for such examination within TWO YEARS from the date of sale to the original consumer purchaser of Peerless Series 820, 900, 910, 915, 920, 930 transaxles and Series 1100 angle drive and ONE YEAR for all other Peerless products. New Power Train Components incorporated in equipment used for commercial purposes are warranted in the same manner and to the same extent EXCEPT such Power Train Components are warranted for NINETY (90) DAYS ONLY, and must be received by Tecumseh or by a Tecumseh Authorized Service Outlet for such examination within 90 days from the date of sale to the original purchaser. New Power Train Components Incorporated in equipment used for rental purposes are warranted in the same manner and to the same extent EXCEPT such Power Train Components are warranted for THIRTY (30) DAYS ONLY, and must be received by Tecumseh or a Tecumseh Authorized Service Outlet within 30 days from the date of sale to the original purchaser.

#### B. Products And Items Not Warranted

1. Alterations or Modifications of Power Train Components.
2. Accidents, Normal Maintenance, Failure to follow the Original Equipment Manufacturer's Manual.

This warranty covers only parts of new Power Train Components which are found upon examination to be defective in material or workmanship as delivered to the original purchaser. This warranty does not cover defects caused by depreciation or damage caused by normal wear, accidents, improper maintenance, improper use or abuse of the product, failure to follow the instructions contained in an Instruction Manual for the operation of the Power Train Component and parts. The cost of normal maintenance and replacement of service items which are not defective shall be paid for by the original purchaser.

#### C. Securing Warranty Service

Warranty service can be arranged for by contacting either a Tecumseh Authorized Service Outlet (any Tecumseh Registered Service Dealer, Tecumseh Authorized Service Distributor, or Tecumseh Central Warehouse Distributor) or by contacting Tecumseh, c/o Service Manager, Engine and Transmission Group Service Division, 900 North Street, Grafton, Wisconsin 53024. Warranty service can only be performed by a Tecumseh Authorized Service Outlet or by Tecumseh at its factory in Grafton, Wisconsin. At the time of requesting warranty service, evidence must be presented of the date of sale to the original purchaser. The purchaser shall pay any charges for making service calls and/or for transporting the product to and from the place where the inspection and/or warranty work is performed. The purchaser shall be responsible for any damage or loss incurred in connection with the transportation of Power Train Components and/or part(s) of the Power Train Components submitted for inspection and/or warranty work.

#### D. Limitation of Damages and Implied Warranties

The foregoing EXPRESSED WARRANTY IS IN LIEU OF ALL OTHER EXPRESS WARRANTIES. Neither Tecumseh nor any of its affiliates makes any warranties, representations or promises, written or oral, as to the quality of the Power Train Component or any of its parts, other than as set forth herein.

ANY IMPLIED WARRANTY OF MERCHANTABILITY OR FITNESS FOR A PARTICULAR PURPOSE, TO THE EXTENT THAT EITHER MAY APPLY TO ANY PART(S) OF POWER TRAIN COMPONENTS, SHALL BE LIMITED IN DURATION TO THE PERIODS OF THE EXPRESSED WARRANTIES DEFINED IN PARAGRAPH A HEREOF. IN NO EVENT WILL TECUMSEH BE LIABLE FOR ANY INCIDENTAL, CONSEQUENTIAL OR SPECIAL DAMAGES AND/OR EXPENSES. Some states do not allow limitations on how long an implied warranty lasts or the exclusion or limitation of incidental or consequential damages, so the above limitation(s) or exclusion(s) may not apply to you. This warranty gives you specific legal rights and you may also have other legal rights which vary from state to state.

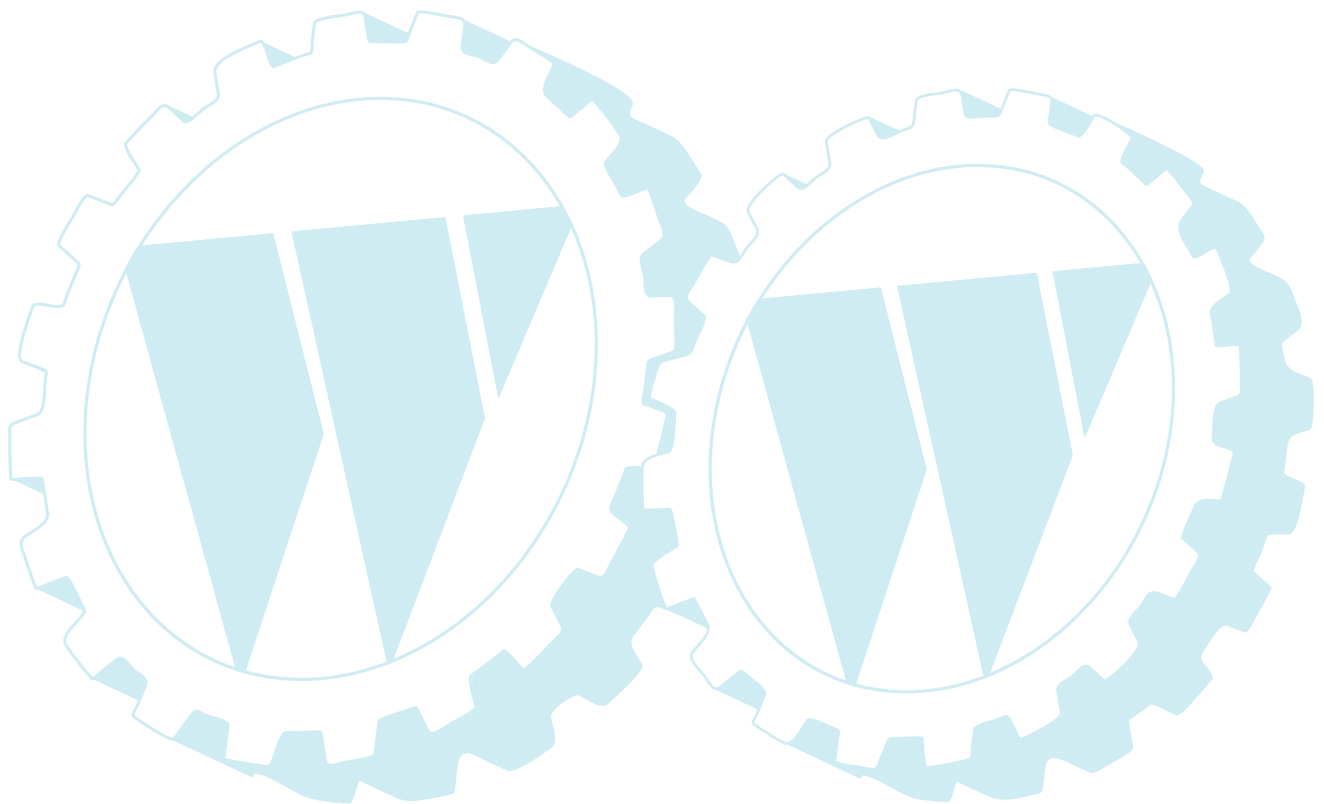
#### E. No Dealer Warranty

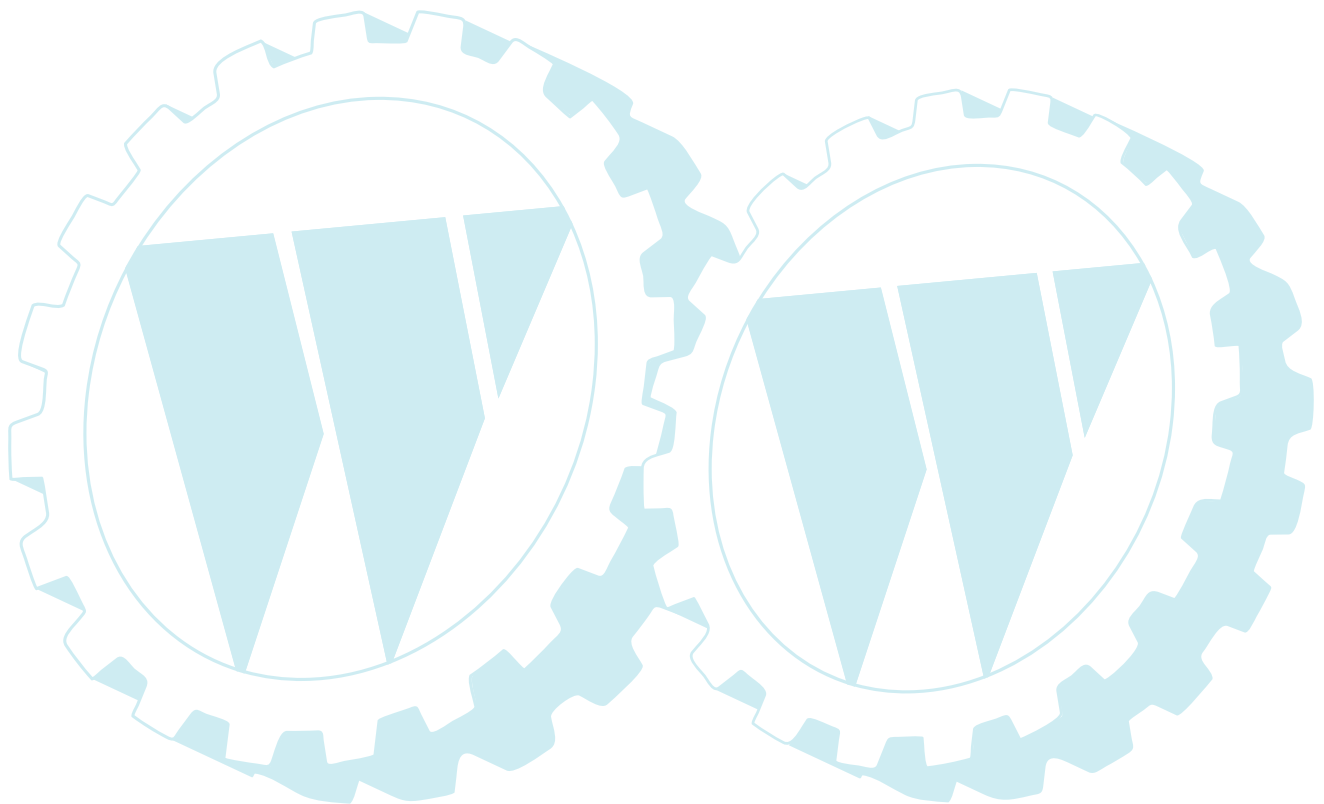
Tecumseh neither assumes nor authorizes any other person, natural or corporate, to assume for Tecumseh any other obligations or liabilities in connection with or with respect to any part(s) of a Power Train Component. The seller or dealer of part(s) of a Power Train Component has no authority, whatsoever, to make any representations or promises on behalf of Tecumseh or to modify the terms or limitations of Tecumseh's warranty in any way.

---

# SERVICE NOTES

---





**Mr.Bricolage**

Ihr Ersatzteilspezialist im Internet